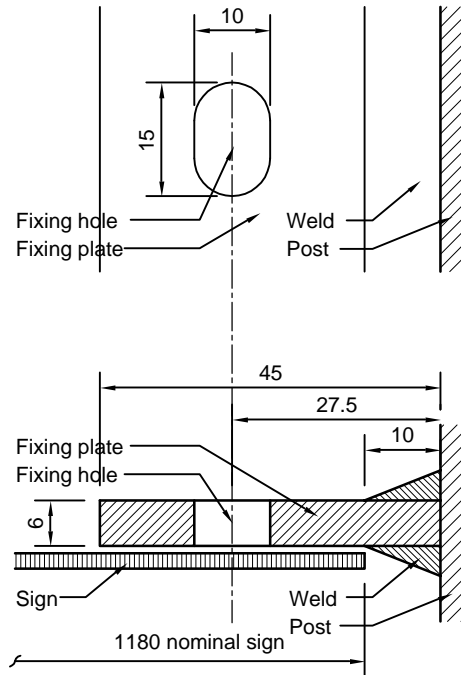
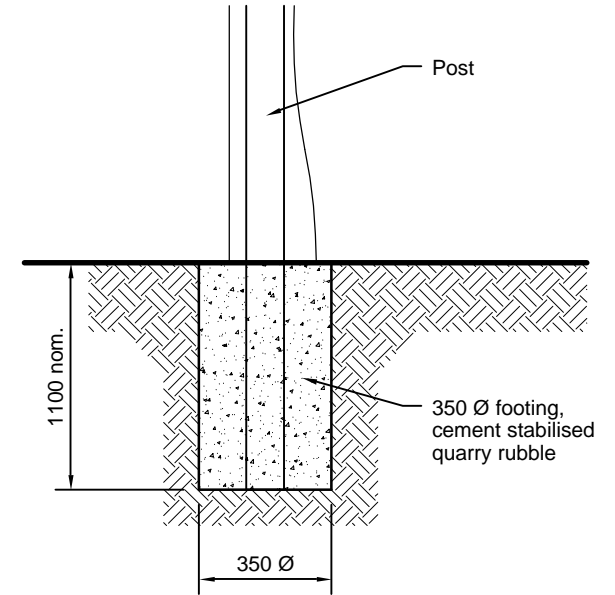


ELEVATION
(1:30)

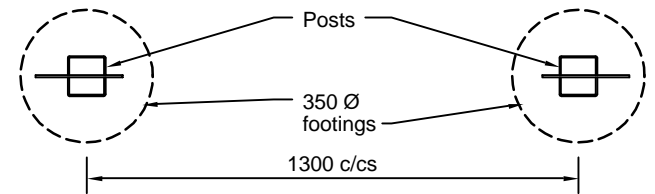


TYPICAL SIGN FIXING
(1:1)

LOCATION
Where directed on site.



FOOTING DETAILS
(1:20)



FOOTING PLAN
(1:20)

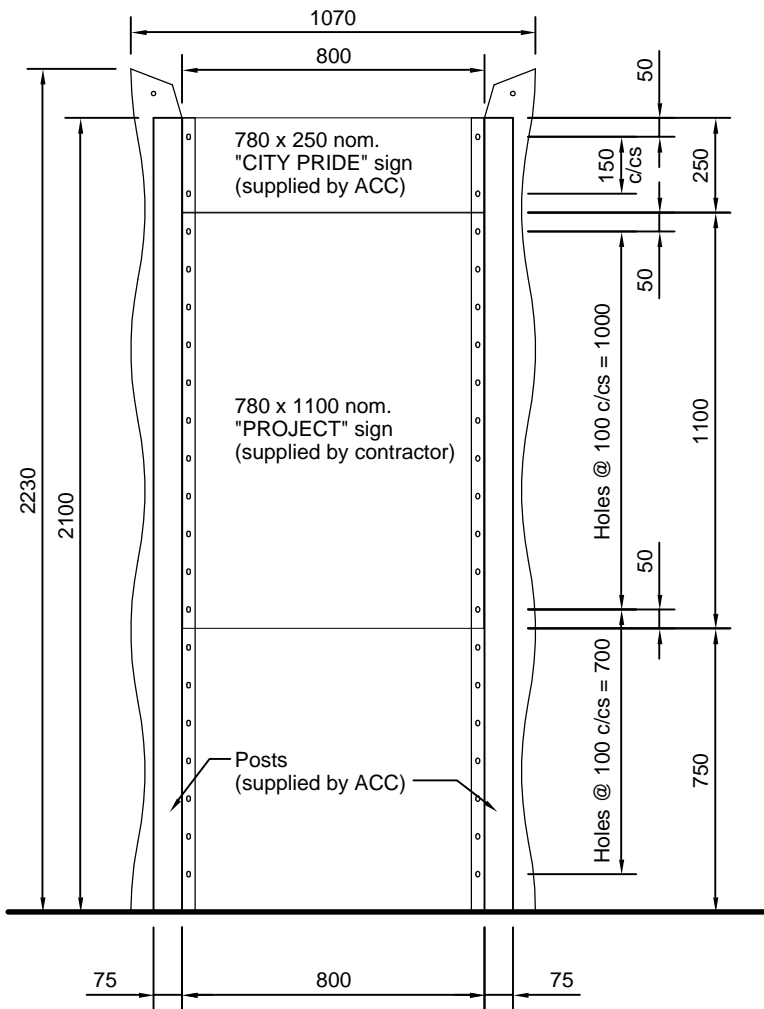
DESIGNED TL	CHECKED TL
DRAWN JR	CERTIFIED RS
DATE 05/2001	
SCALE as shown	
DRWG No. C-FS-004-01	

© COPYRIGHT
This document produced by City of Adelaide shall not copied without written consent.

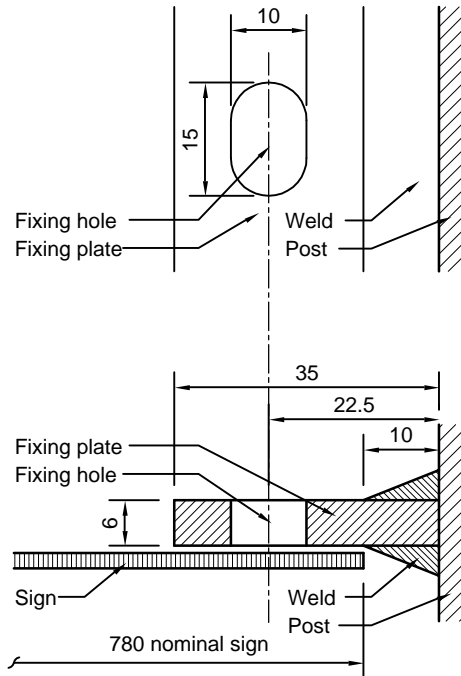
CONSTRUCTION STANDARD
Signage
PROJECT CONSTRUCTION
Major Projects



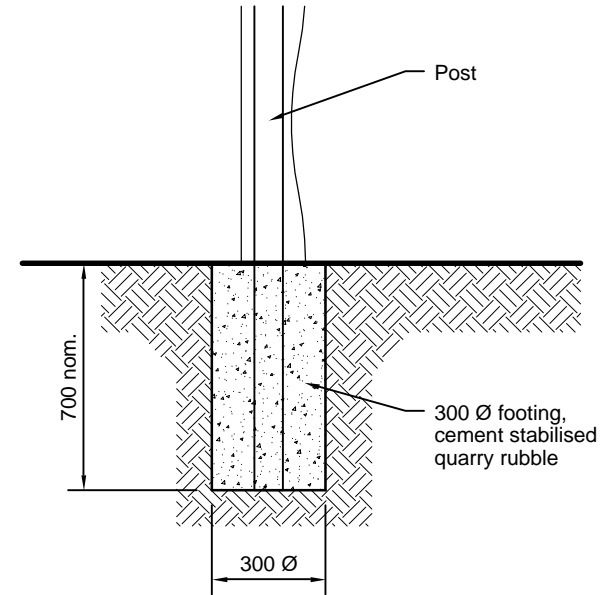
STANDARD NUMBER	SHEET No.
S 160	01



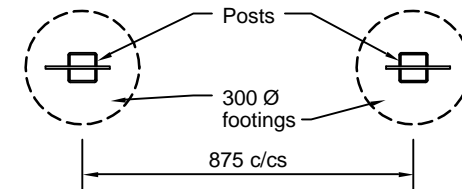
ELEVATION
(1:20)



TYPICAL SIGN FIXING
(1:1)



FOOTING DETAILS
(1:20)



FOOTING PLAN
(1:20)

LOCATION
Where directed on site.

DESIGNED TL	CHECKED TL
DRAWN JR	CERTIFIED RS
DATE 05/2001	
SCALE as shown	
DRWG No. C-FS-004-02	

© COPYRIGHT
This document produced by City of Adelaide shall not copied without written consent.

CONSTRUCTION STANDARD
Signage
PROJECT CONSTRUCTION
Minor Projects



STANDARD NUMBER	SHEET No.
S 160	02