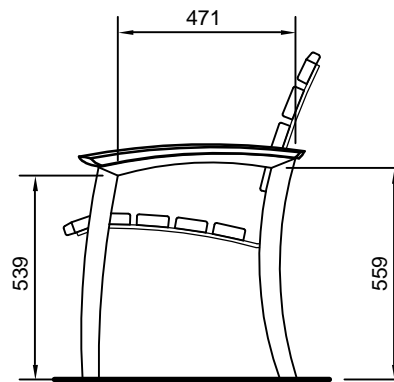
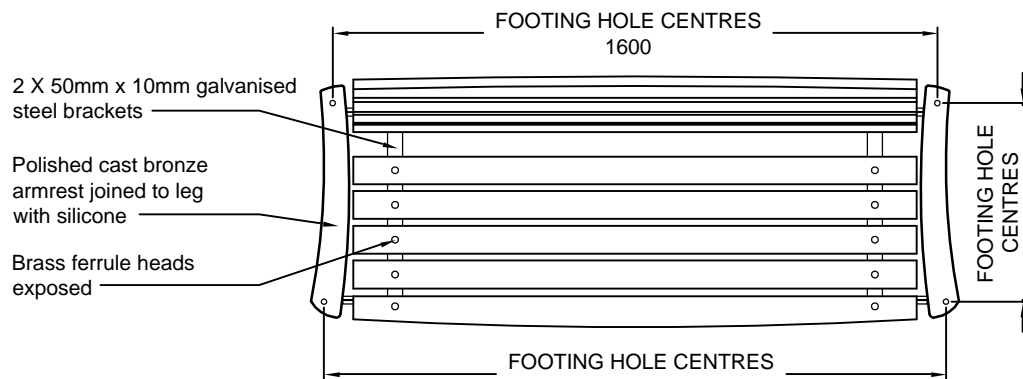


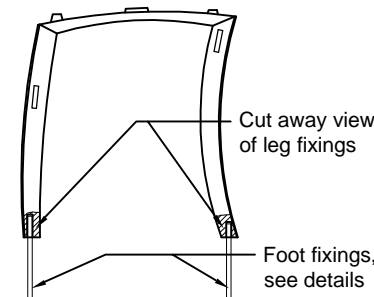
FRONT ELEVATION
(1:20)



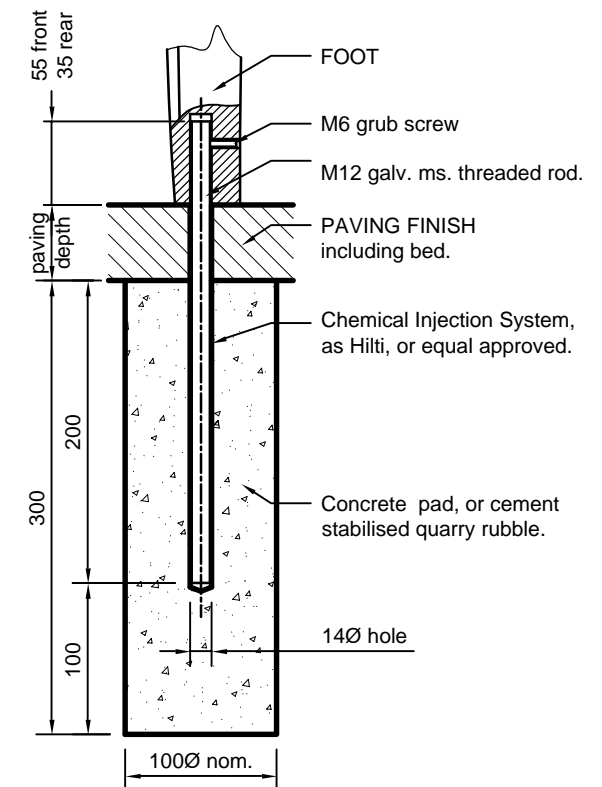
END ELEVATION
(1:20)



TOP
(1:20)



LEG (inside view)
(1:20)



SECTION THROUGH FOOT SHOWING CONNECTION DETAIL TO GROUND FOR FRONT AND REAR FEET.

FOOT - FIXING DETAIL
(1:5)

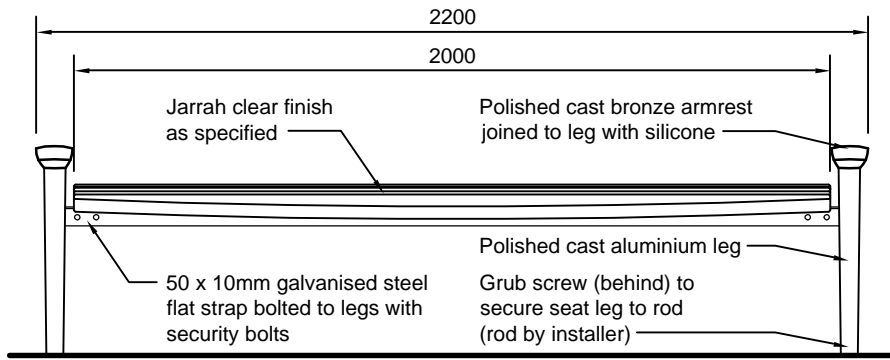
DESIGNED TL	CHECKED TL
DRAWN JR	CERTIFIED RS
DATE 04/2001	
SCALE as shown	
DRWG No. C-FS-101-01	

© COPYRIGHT
This document produced by City of Adelaide shall not copied without written consent.

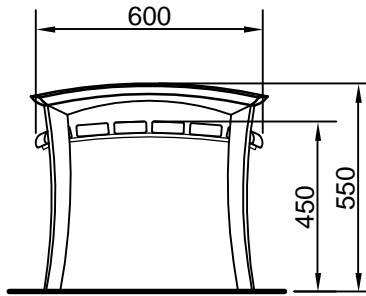
CONSTRUCTION STANDARD
Furniture
ADELAIDE SUITE
Seat



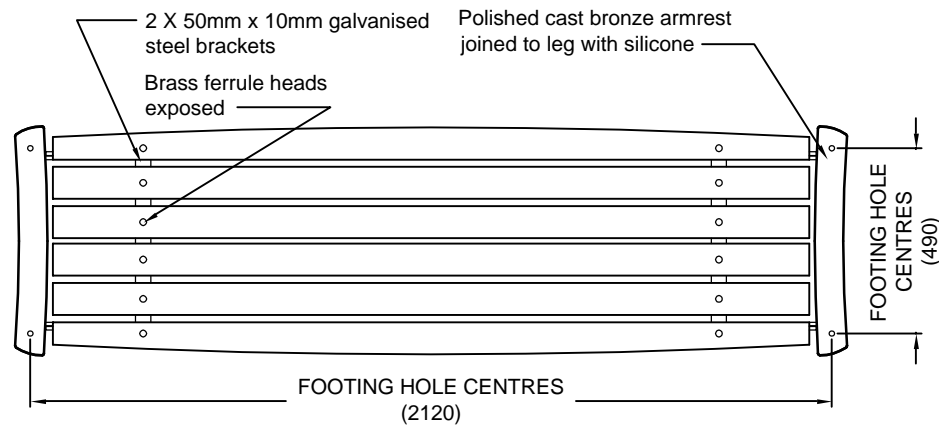
STANDARD NUMBER	SHEET No.
F 110	01



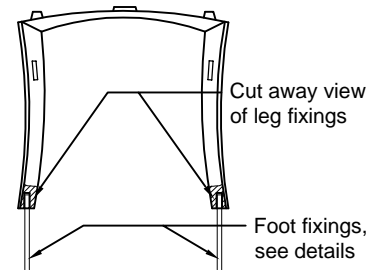
FRONT ELEVATION
(1:20)



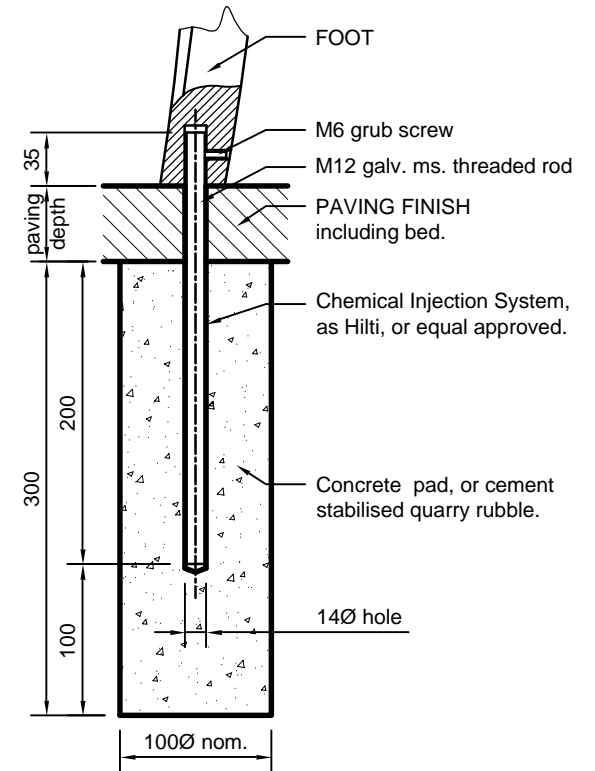
END ELEVATION
(1:20)



TOP
(1:20)



LEG (inside view)
(1:20)



SECTION THROUGH FOOT SHOWING CONNECTION DETAIL TO GROUND.

FOOT - FIXING DETAIL
(1:5)

DESIGNED TL	CHECKED TL
DRAWN JR	CERTIFIED RS
DATE 04/2001	
SCALE as shown	
DRWG No. C-FS-102-01	

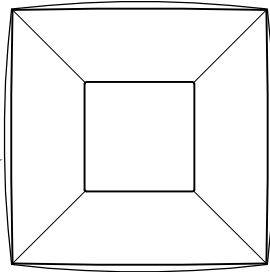
© COPYRIGHT
This document produced by City of Adelaide shall not copied without written consent.

CONSTRUCTION STANDARD
Furniture
ADELAIDE SUITE
Bench



STANDARD NUMBER	SHEET No.
F 120	01

Polished Bronze/Aluminium top section



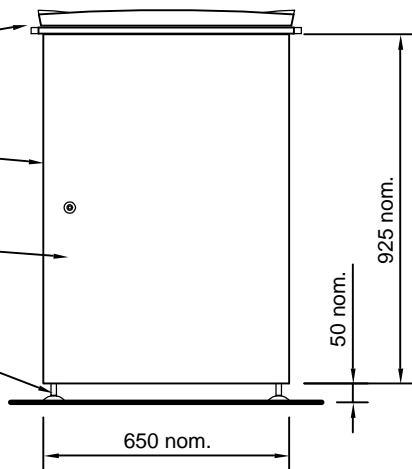
TOP
(1:20)

Polished Bronze/Aluminium top section

Galvanised woven wire mesh, powdercoated 'Dulux Charcoal Metallic Gloss 18796' or equivalent.

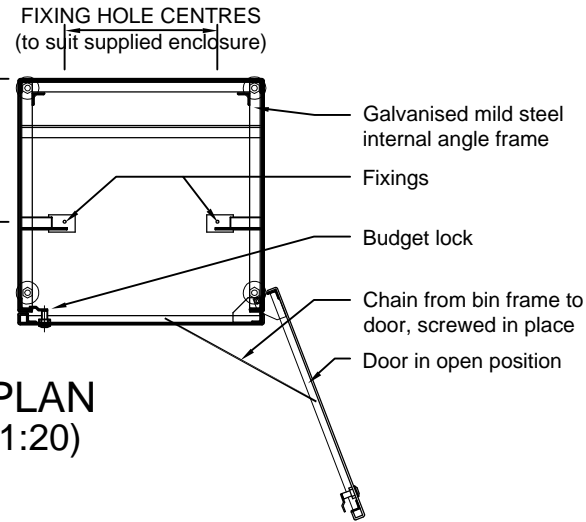
Door opens, for fixing and bin removal.

Adjustable levelling feet

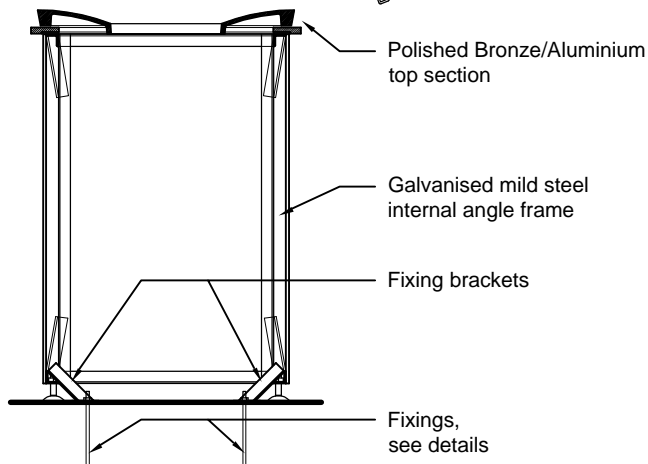


FRONT ELEVATION
(1:20)

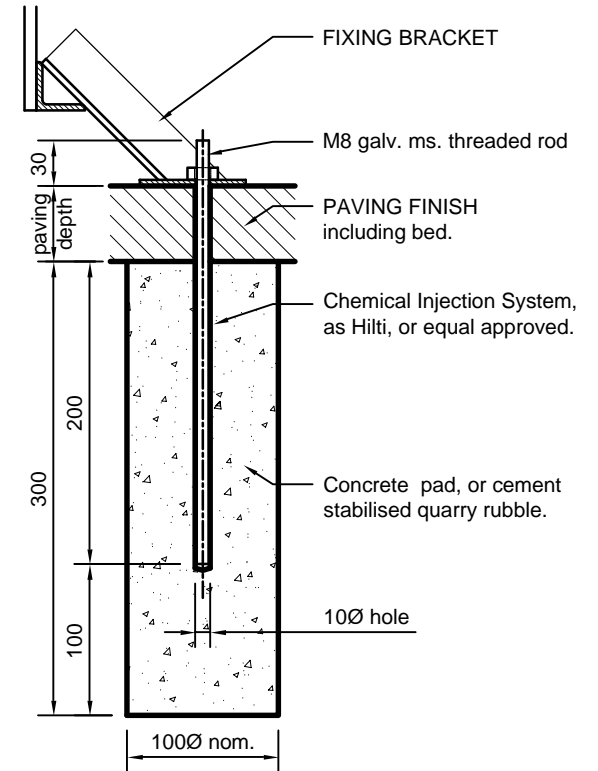
FIXING HOLE CENTRES
(to suit supplied enclosure)



PLAN
(1:20)



SECTION
(1:20)



FIXING DETAIL
(1:5)

DESIGNED TL	CHECKED TL
DRAWN JR	CERTIFIED RS
DATE 05/2001	
SCALE as shown	
DRWG No. C-FS-103-01	

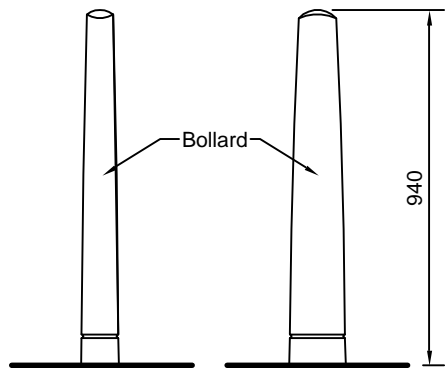
City Projects

© COPYRIGHT
This document produced by City of Adelaide shall not copied without written consent.

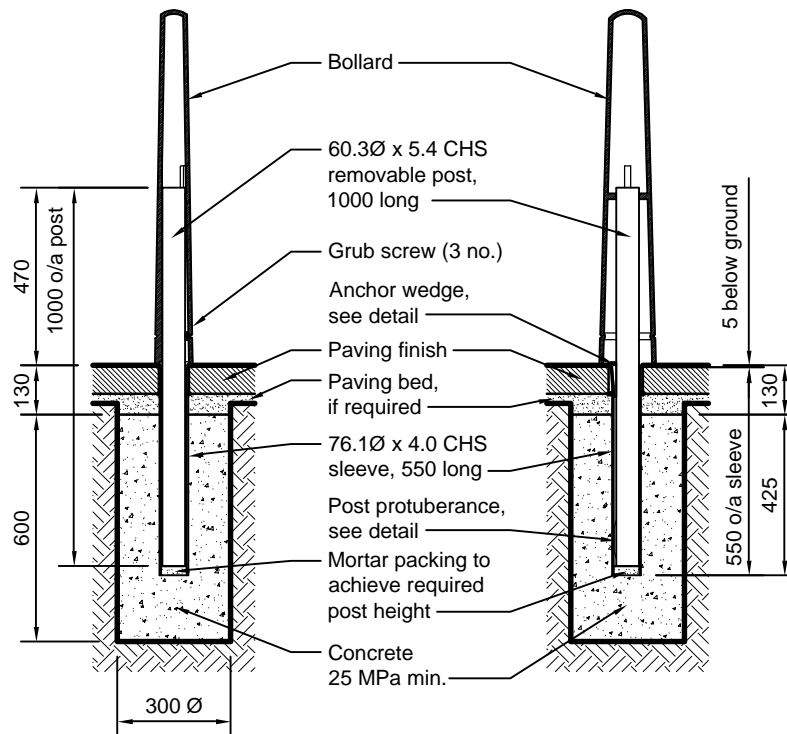
CONSTRUCTION STANDARD
Furniture
ADELAIDE SUITE
Bin Enclosure

DELAIDE
CITY COUNCIL

STANDARD NUMBER	SHEET No.
F 210	01

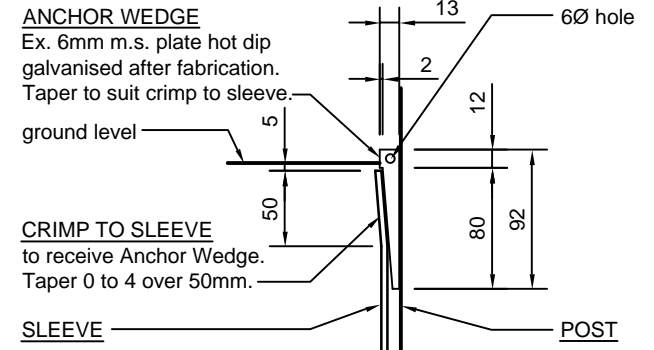


ELEVATIONS
(1:20)

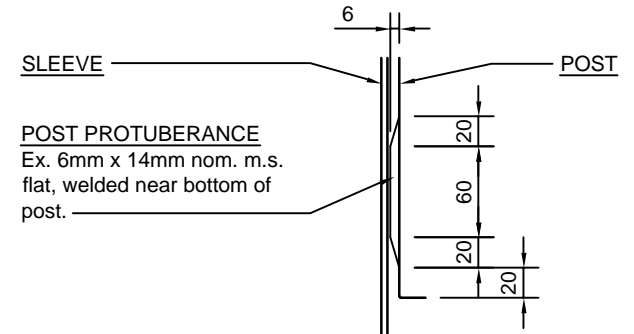


SECTIONS
(1:20)

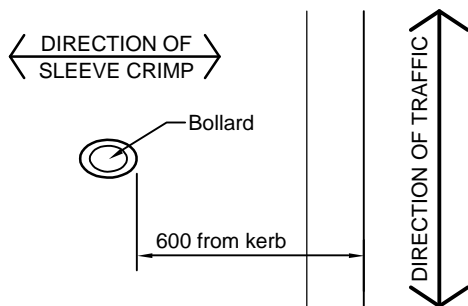
NOTES
Post to be installed vertical.
Post protuberance to be aligned with crimp.



ANCHOR WEDGE DETAIL
(1:5)



POST PROTUBERANCE
(1:5)



ORIENTATION PLAN
(1:20)

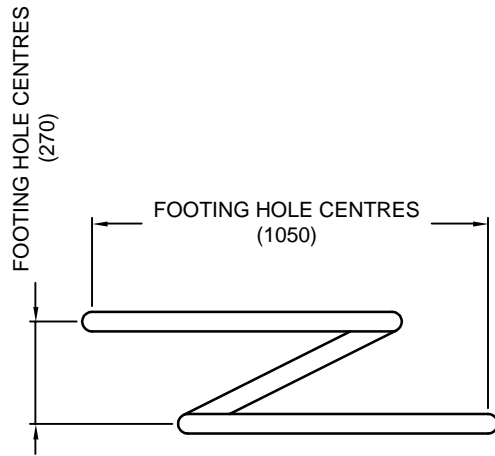
DESIGNED TL	CHECKED TL
DRAWN JR	CERTIFIED RS
DATE 05/2001	
SCALE as shown	
DRWG No. C-FS-107-01	

© COPYRIGHT
This document produced by City of Adelaide shall not copied without written consent.

CONSTRUCTION STANDARD
Furniture
ADELAIDE SUITE
Bollard



STANDARD NUMBER	SHEET No.
F 313	01

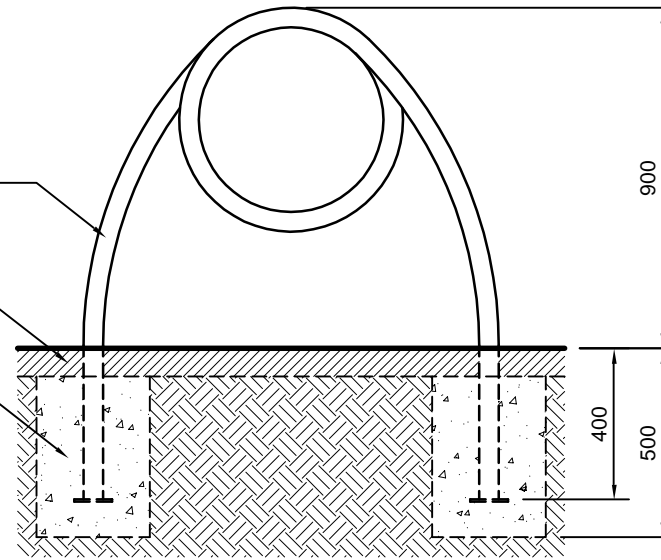


PLAN
(1:20)

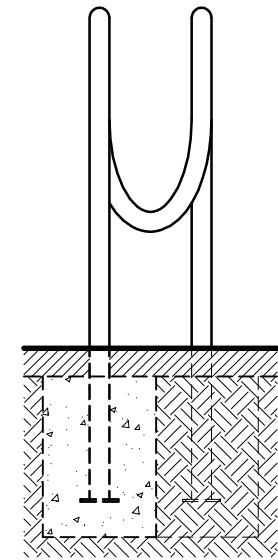
BICYCLE STAND, fabricated from 52Ø nom. stainless steel tube with 100 x 100 x 6 base plates

Paving finish

300Ø concrete footings



FRONT ELEVATION
(1:20)



SIDE ELEVATION
(1:20)

DESIGNED TL	CHECKED TL
DRAWN JR	CERTIFIED RS
DATE 05/2001	
SCALE as shown	
DRWG No. C-FS-104-01	

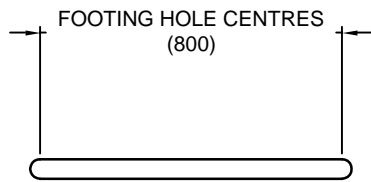
City Projects

© COPYRIGHT
This document produced by City of Adelaide shall not copied without written consent.

CONSTRUCTION STANDARD
Furniture
ADELAIDE SUITE
Bicycle Stand Type 1

ADELAIDE
CITY COUNCIL

STANDARD NUMBER	SHEET No.
F 520	01

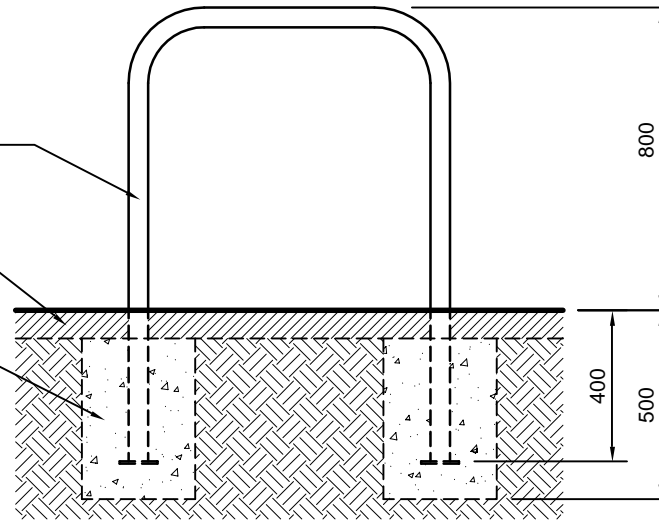


PLAN
(1:20)

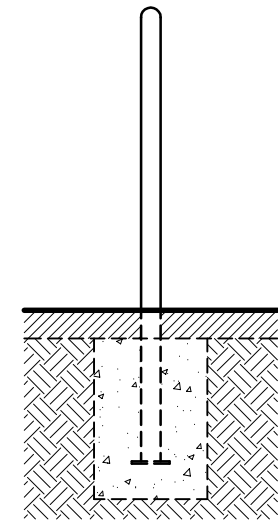
BICYCLE STAND, fabricated from
52Ø nom. stainless steel or
galvanised iron tube with
100 x 100 x 6 base plates

Paving finish

300Ø concrete footings

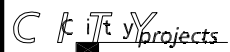


FRONT ELEVATION
(1:20)



SIDE ELEVATION
(1:20)

DESIGNED TL	CHECKED TL
DRAWN JR	CERTIFIED RS
DATE 05/2001	
SCALE as shown	
DRWG No. C-FS-105-01	

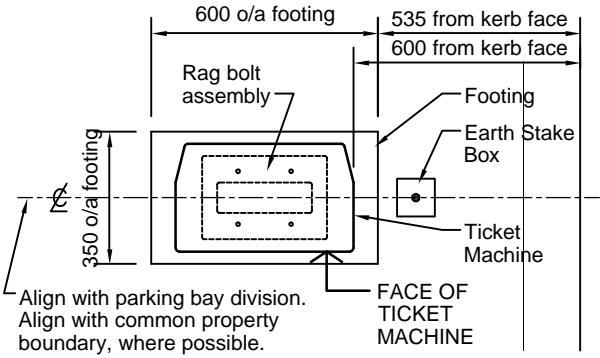


© COPYRIGHT
This document produced by City of Adelaide shall not copied without written consent.

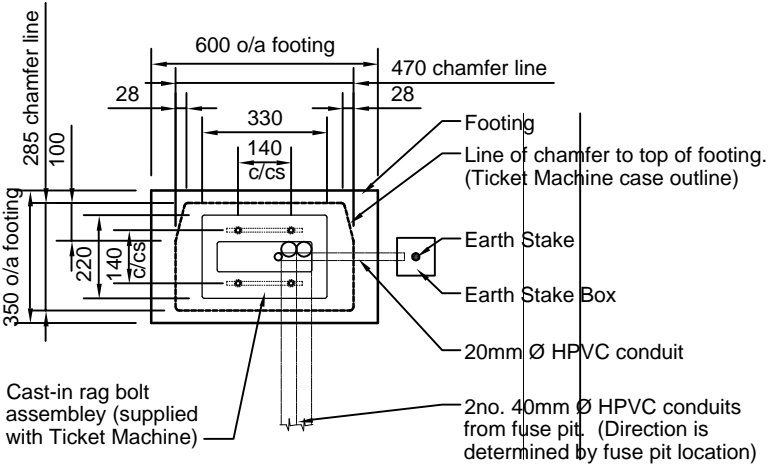
CONSTRUCTION STANDARD
Furniture
ADELAIDE SUITE
Bicycle Stand Type 2



STANDARD NUMBER	SHEET No.
F 521	01



LOCATION PLAN
(1:20)

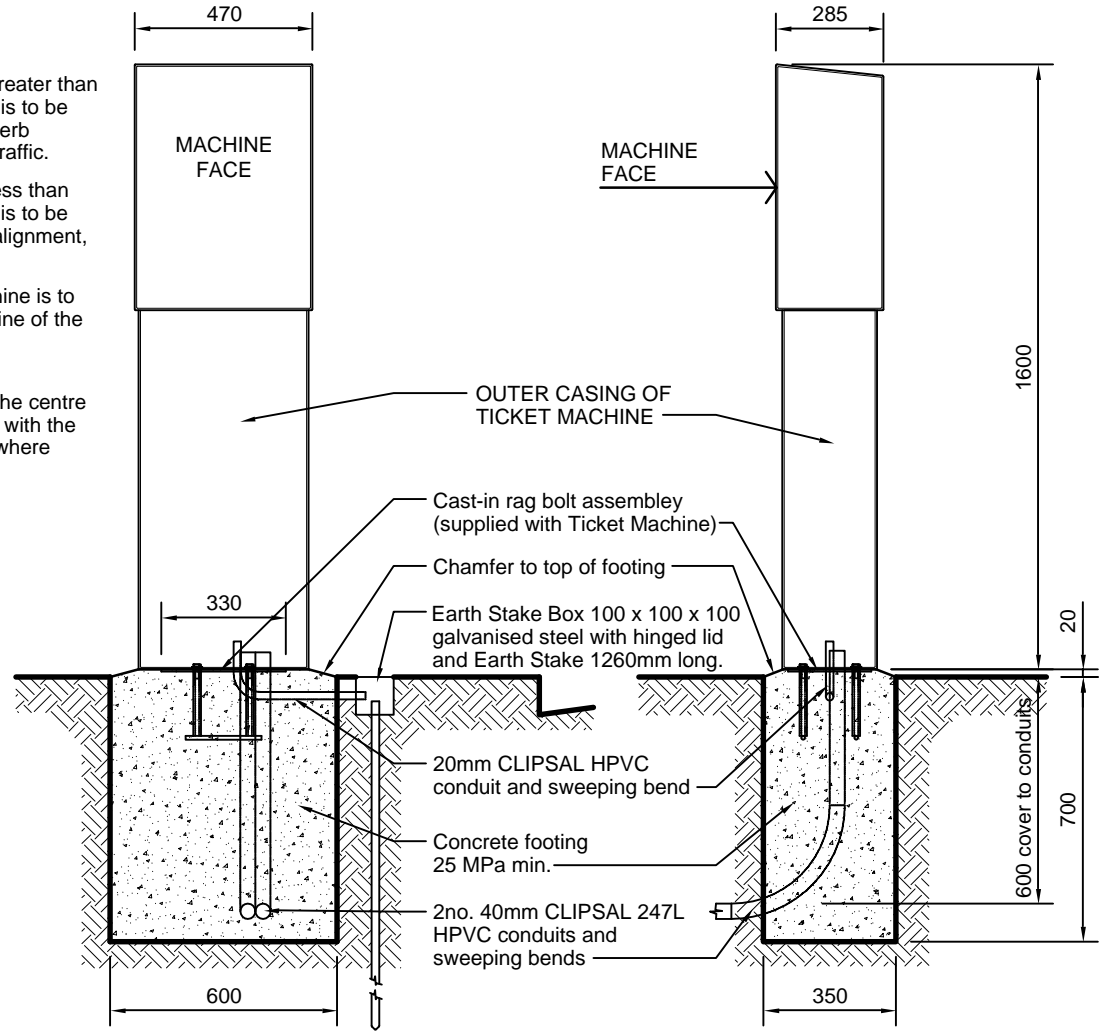


FOOTING PLAN
(1:20)

NOTES.

1. Where the footpath width is greater than 2 metres, the Ticket Machine is to be placed at right angles to the kerb alignment, facing oncoming traffic.
2. Where the footpath width is less than 2 metres, the Ticket Machine is to be placed parallel with the kerb alignment, facing the property.
3. The centre of the Ticket Machine is to be aligned with the Division Line of the adjacent parking bay. (for vehicle door clearance)
4. The preferred location is with the centre of the Ticket Machine aligned with the common property boundary, where applicable.

DIRECTION OF TRAFFIC ↑



SECTIONS
(1:20)

DESIGNED TL	CHECKED TL
DRAWN JR	CERTIFIED RS
DATE 05/2001	
SCALE as shown	
DRWG No. C-FS-001-01	

© COPYRIGHT
This document produced by City of Adelaide shall not copied without written consent.

CONSTRUCTION STANDARD Furniture TICKET VOUCHER MACHINE	



STANDARD NUMBER	SHEET No.
F 910	01